

## Using multi switches to connect receivers to dishes

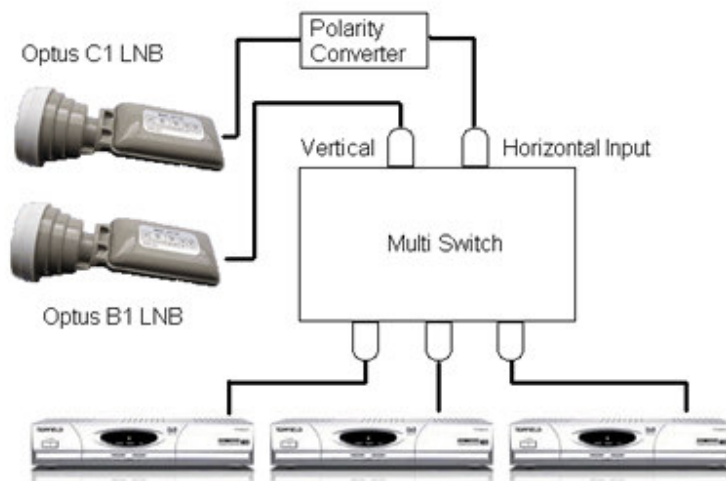
Many times you want to have more than one receiver in your home, and you do not want to have to add another dish for each receiver. By using a multi switch you can have up to 3 receivers using the one dish. Or they could all use 2 dishes (or 2 LNBS on a single dish) with no interference.

By using a multi switch and 22khz switches you can have up to 3 receivers using 4 or more dishes with no interference.

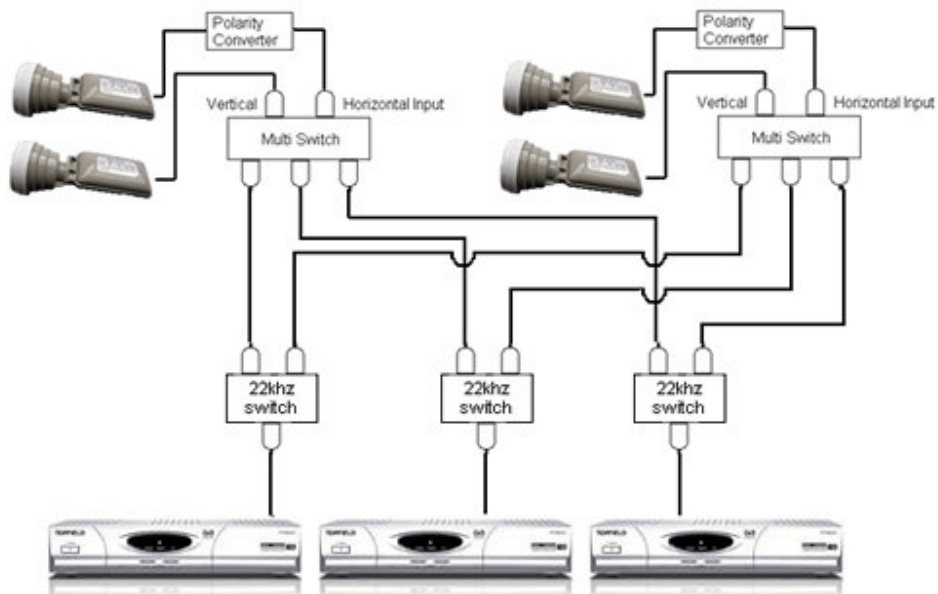
For full information on how a multi switch works please read the specifications sheet on the New Zealand wholesalers website [www.hooktech.co.nz](http://www.hooktech.co.nz).

A basic block diagram for the use of the multi switch is given below.

The polarity converter is only used when the LNB connected to the Horizontal Input is actually being used to receive Vertical signal from a satellite.



Up to 3 receivers with 2 dishes (or 2 LNBS on one dish)



Up to 3 receivers on 4 or more dishes.

Up to 8 LNBS can be used in this way by substituting the 22khz switches for 4 way DiSEqC switches, allowing you to also add 2 more multi switches.

For more information on the system that best suits your home, join the free Topfield-New Zealand forum or contact a supplier of Topfield products.